



LB24M SERIES MEDICAL FIBER-OPTIC ILLUMINATOR

Focused Innovation.

High-Intensity Arc Lamp Technology

Welch Allyn Sölarc® Fiber-Optic Illuminators use patented Sölarc lamp technology. Sölarc Illuminators combine the efficiencies of high-pressure metal halide arc lamps, precision miniature lamp construction and precise optical alignment to deliver unequaled fiber illumination performance and value.

Brilliant White Light

Unlike halogen-based light sources, Sölarc Illuminators deliver intense, brilliant white light, typically with a color temperature greater than 5,000°K—comparable to true daylight.

Long Life and Cost Effective

Sölarc lamp technology is at the heart of the illuminator, requiring only 24 watts of energy and typically lasting about 500 hours (median life). Compare this to halogen offerings that require 150 watts of energy and last 40 hours. Consuming considerably less energy and lasting over 12 times longer assures cost-effective ownership.

Superior Fiber-Optic Coupling

Available with an ACMI and optional industry-standard optical couplers, precisely aligned, highly efficient Sölarc lamps provide superior light coupling into small and miniature fiber bundles. This allows the lamps to deliver significantly more light at a fraction of the size and wattage when compared to halogen alternatives.

Flexible Design

The LB24M series is available with a variety of fiber-optic couplers. It is rated for operation on voltages between 100 VAC and 240 VAC and frequencies from 50 Hz to 60 Hz.

Enhanced Features

- Internal Thermal Cutout
- Double Insulated
- Low Electrical Noise
- Cooler Operation
- Positive-Lock ACMI Fiber Adapter
- Full-Off Light Attenuation
- Medical-Grade UV/IR Filter
- Threaded Input Port—Allows for Custom Adapters
- Improved Lamp Retention System

Conforms to Medical Standards

The LB24M series meets the standards identified in the accompanying specifications. Sölarc Illuminators are the solution for applications that require intense, white illumination, such as lighting for medical and dental procedures.

Power Supply Included with Each Illuminator



LBM-PS-00 included with LB24MS00-004-00. North American-Style Plug

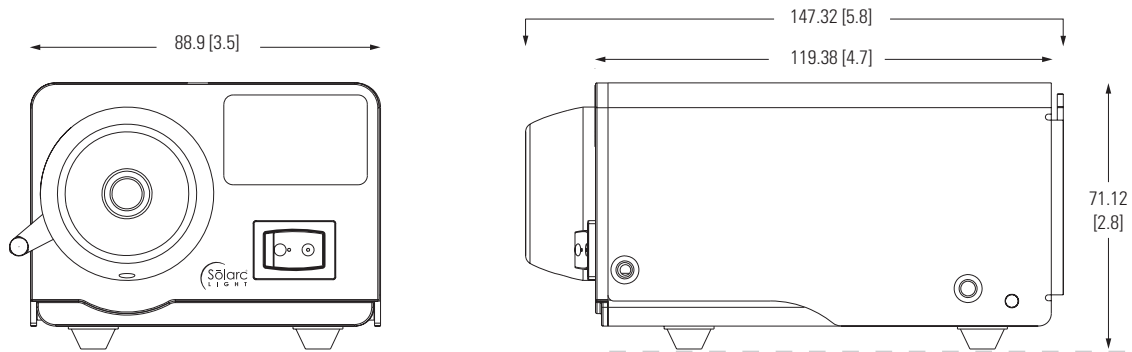


LBM-PS-01 included with LB24MS00-004-01. IEC Adapter to allow a variety of cords (sold separately)

LB24M Specifications

Illumination System Lamp Light Output Color Temperature Lamp Life (Median) Integral Iris	09500-U Sölarc® Lamp Technology 590 Lumens (4 mm [0.16"] glass rod) 5,000°K 500 Hrs 0%–100% attenuation		
Physical Dimensions Weight	147.3 mm [5.8"] length x 88.9 mm [3.5"] width x 71.1 mm [2.8"] height 1.0 kg [2.2 lbs]—includes power supply		
Electrical Input Voltage Input Current Leakage Current	100 to 240 VAC, 50-60 Hz 1 A @ 100 VAC <100 µA		
Environmental Temperature Humidity	10°C (50°F) to 30°C (86°F) 15% to 95% RH noncondensing		
Approvals	<table style="width: 100%; border: none;"> <tr> <td style="width: 50%; border: none;"> EN/IEC 60601-1 CAN/CSA C22.2 No. 601-1, 1-M90 JIS T0601/J1000 IEC60601-1-2 </td> <td style="width: 50%; border: none;"> UL60601-1 AS3200.1 EN55011 </td> </tr> </table>	EN/IEC 60601-1 CAN/CSA C22.2 No. 601-1, 1-M90 JIS T0601/J1000 IEC60601-1-2	UL60601-1 AS3200.1 EN55011
EN/IEC 60601-1 CAN/CSA C22.2 No. 601-1, 1-M90 JIS T0601/J1000 IEC60601-1-2	UL60601-1 AS3200.1 EN55011		
Ordering Information Part Number LB24MS00-004-00 LB24MS00-004-01 LBM-PS-00 LBM-PS-01 09500-U 704904 704905 704906 50160 50159	Description Illuminator/ACMI Adapter—North America Power Supply Illuminator/ACMI Adapter—International Power Supply (requires power cord—sold separately) Replacement Power Supply—North America Replacement Power Supply—International (requires cord—sold separately) Replacement Sölarc Lamp AC Power Supply Cord—Europe AC Power Supply Cord—Australia AC Power Supply Cord—UK Olympus Adapter (screw-on) Storz Adapter (screw-on)		

LB24M (All measurements in mm [inches].)



Welch Allyn—Your Source For
Precision Arc & Halogen Lamps



Please Note: Performance data acquired under controlled laboratory conditions; actual results may vary depending on use.
 Continuous product improvement requires we reserve the right to change these specifications without notice.
 © 2008 Welch Allyn MC3695 Rev C Printed in U.S.A.

4619 Jordan Road
 Skaneateles Falls, NY 13153-0187
 Phone: 315.685.4347
 Fax: 315.685.2854
www.walamp.com